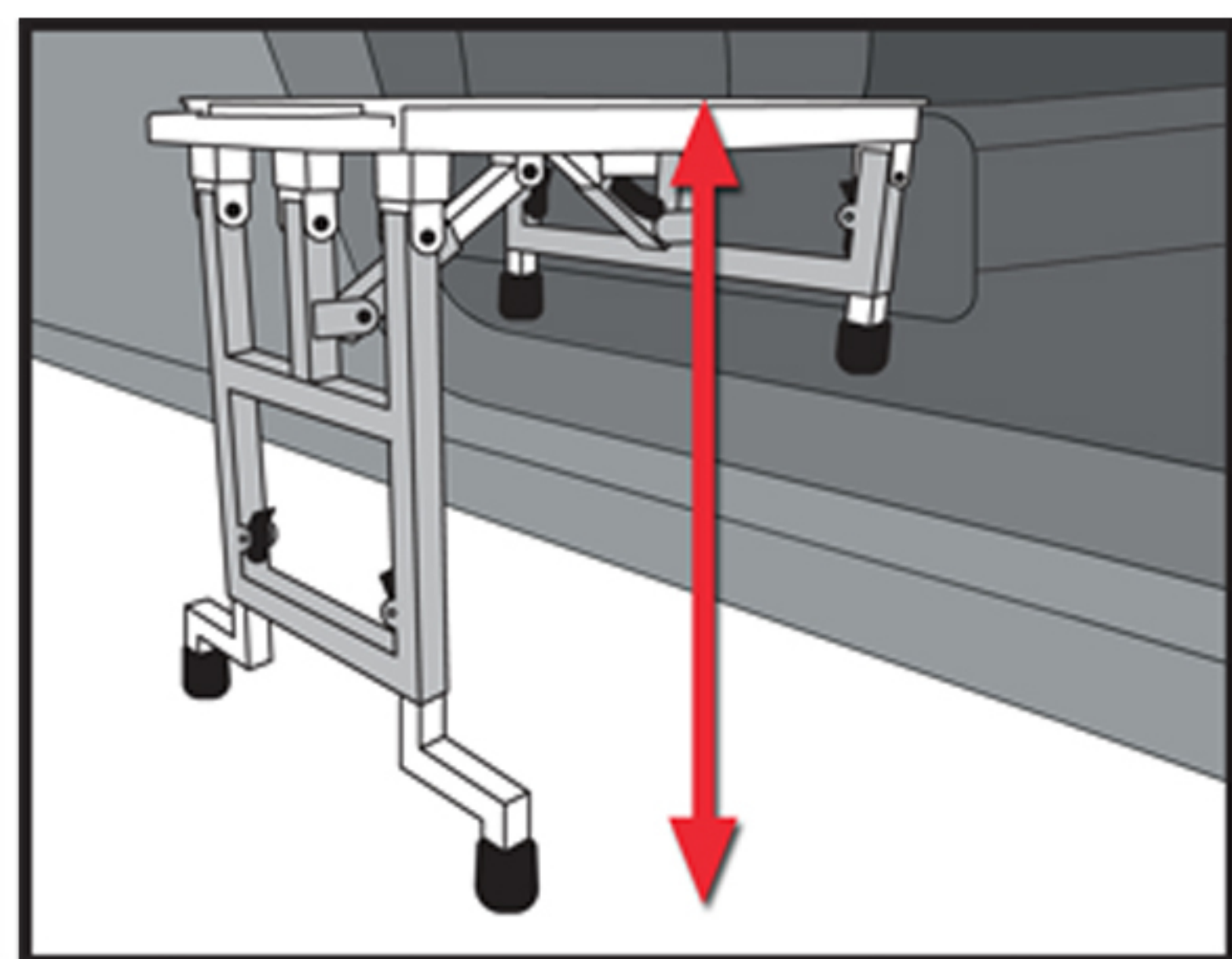
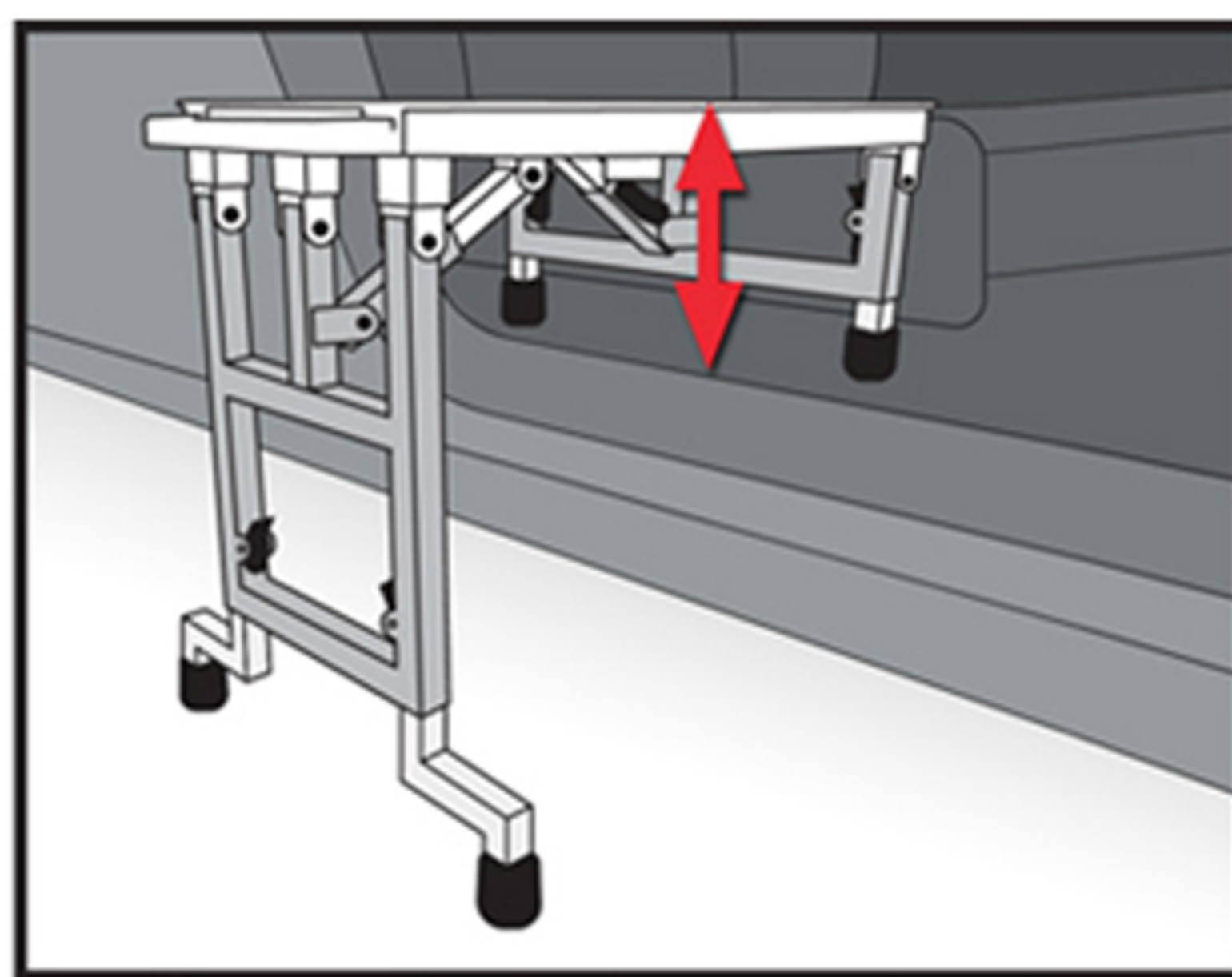


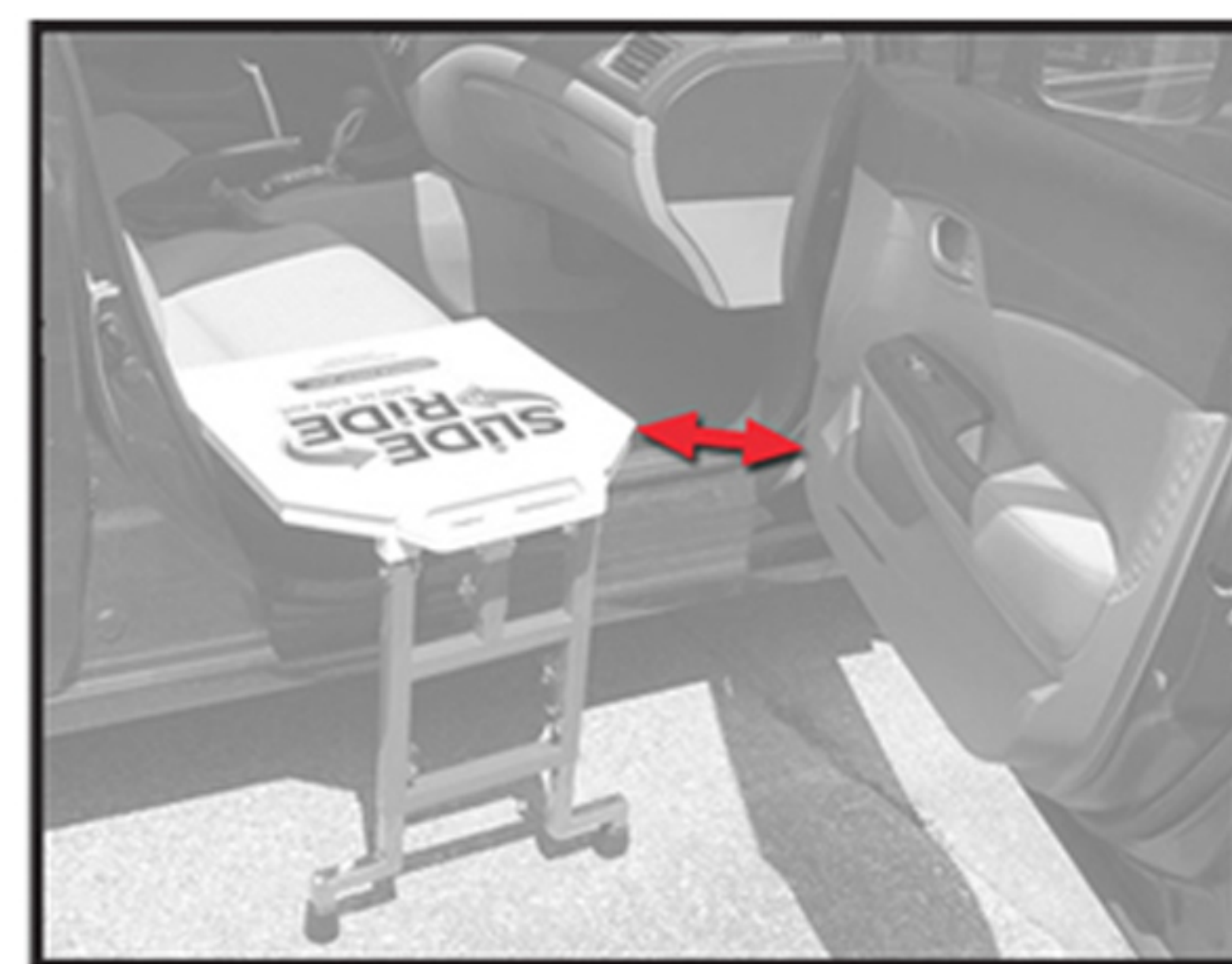
Slide 'n Ride Measurement Guide



Maximum height: 26-1/2" from ground



Interior Legs: Adjust to 7", 8", and 9"



Leg Swing Clearance: 7" Minimum

Immediately outside the car with the door open, measure the distance from the ground to the top of the car seat at the midpoint between the front of the seat and the back. The SnR long legs (outside the car) extend from 18-1/2" to a maximum of 26-1/2" in 1" increments.

Secondly, inside the car, measure the distance from the floor of the car to the same top (midpoint) of the car seats edge. The short legs (inside the car) extend 7" to a maximum of 9" adjustable in 1" increments.

Lastly, cut a 17"x17" template out of cardboard. Hold the template against the door frame and the edge of the car seat. Measure the distance from the edge of the template to the edge of the car door trim while the door is in its widest open position. You will need a minimum clearance of 7" to slide off the top of the SnR and into the car.